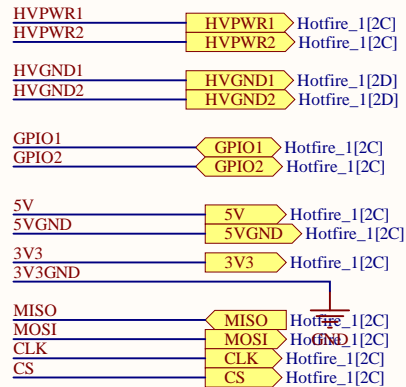
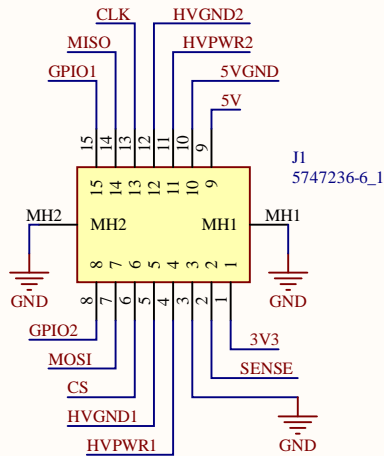
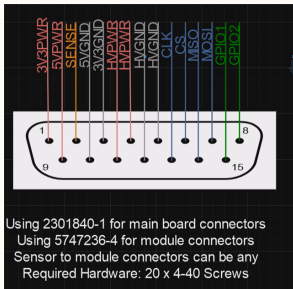


Title: * MOSFET AND PYRO			Engineer: Inez and Rohith	Space Technologies and Rocketry
Size: A4			Checked: *	
Project:		Rev: *	Approved: *	
Date: 4/29/2026 8:18:47 AM		Sheet 1 of 2	Edited: 3/30/2025	
Git Hash: Version control disabled			Variant: [No Variations]	
File: Hotfire_1.SchDoc			SW Version:	

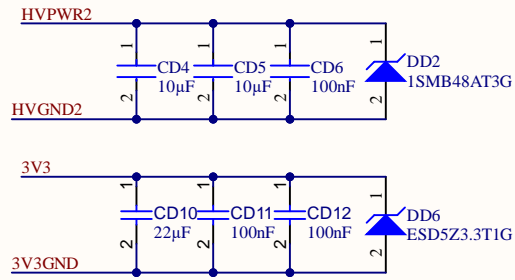
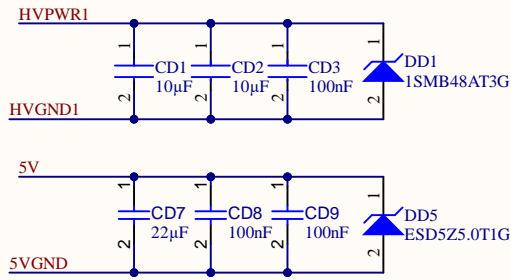
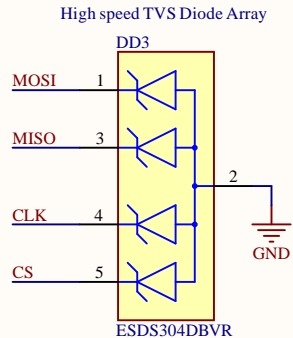
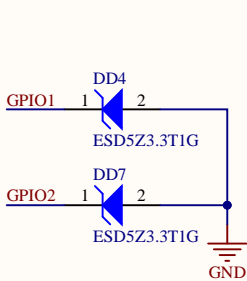
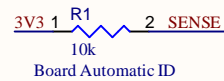




ESD / TVS Diodes for overvoltage protection and voltage spike protection

Smoothing capacitors for reducing local noise and voltage ripple

Note both HVPWR and HVGND must NOT connect in the PCB. This is to allow for future splitting of HVPWR into 2 separate rails (possibly 12-24V)



Title		
Size	Number	Revision
A		
Date:	4/29/2026	Sheet of
File:	StandardDSUB.SchDoc	Drawn By: